



## Bathtub - Madison

Two-hole tub mixer for freestanding installation with hand shower set - polished chrome

Article number: 25 943 360-00



- 9-5/8" Projection
- Spout: Rectangular aerator
- Hand shower: Standard spray
- Hand shower with descaling system
- Tub / shower diverter
- Hand shower bracket
- Total height 35-1/2"
- Riser height 28-3/4"
- Height to aerator/spout outlet 24"
- Flanges Ø 3-1/2"
- Center to center 6"
- Metal shower hose 49-1/4" with anti-twist device
- Water flow rate limited to max. 13.5 gpm
- Hand shower water flow rate limited to max. 1.8 gpm
- Internal backflow preventer.
- NOTE: Local building codes may require the use of an anti-scald device. Please refer to remote pressure balance valve (35 910 970 90)



polished chrome

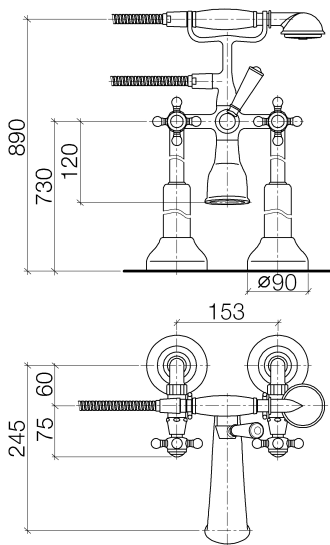
Accessory is required for this item.

**Bathtub - Madison**

Two-hole tub mixer for freestanding installation with hand shower set - polished chrome

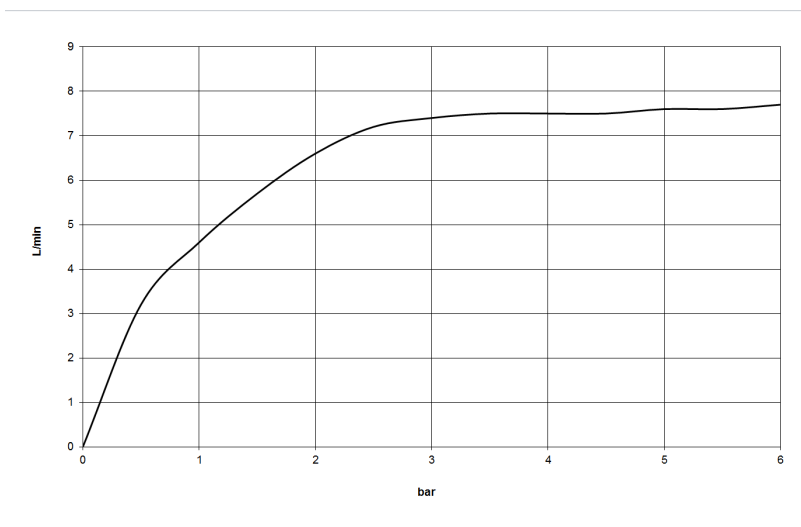
Article number: 25 943 360-00

**Dimensional drawing**



All dimensions in mm / inch = mm x 0,0394

**Flow rate chart**





## Bathtub - Madison

Two-hole tub mixer for freestanding installation with hand shower set - polished chrome

Article number: 25 943 360-00

### Other surface finishes



platinum matte  
25 943 360-06



platinum  
25 943 360-08



Durabrass  
25 943 360-09



Dark Brass matte  
25 943 360-16



Dark Bronze matte  
25 943 360-17



Dark Platinum matte  
25 943 360-99

More custom finish options are available via special production (xTra Service). Please see our finish matrix for availability and pricing or contact a Dornbracht representative.

### Required article



35 944 970-90 0010

Floor mounting rough set -

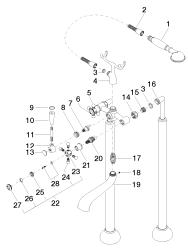


## Bathtub - Madison

Two-hole tub mixer for freestanding installation with hand shower set - polished chrome

Article number: 25 943 360-00

### Spare parts list



Number	Item Number	Designation	Number of units
--------	-------------	-------------	-----------------